

# Jacuzzi J-385

## Specifications

|  |  |
|--|--|
| <b>Seating Capacity</b> .....              | 6-7  |
| <b>Dimensions</b> .....                    | 91" x 91" x 37.50" (231 cm x 231 cm x 95.25 cm);<br><b>For complete dimensions, see page 84</b>  |
| <b>Perimeter</b> .....                     | 364 in. (924.6 cm)   |
| <b>Dry Weight</b> .....                    | 850 lbs (386 kg)   |
| <b>Filled Weight (Spa Volume)</b> .....    | 5,771 lbs (2,618 kg)   |
| <b>Filled Weight (Average Fill)</b> .....  | 4,686 lbs (2,126 kg)   |
| <b>Water Capacity (Spa Volume)</b> .....   | 590 US gallons (2,233 Liters)  |
| <b>Water Capacity (Average Fill)</b> ..... | 460 US gallons (1,741 Liters)  |
| <b>Electronic Controls</b> .....           | Solid state electronic controls with LCD readout, programmable temperature, filtration, and heat cycles  |
| <b>Pump 1</b> .....                        | North America (60 Hz): 1-Speed, 4.8 HP brake, 2.5 HP continuous, 56 Frame<br><b>Export (50 Hz): 1-Speed, 2.0 HP continuous</b>   |
| <b>Pump 2</b> .....                        | North America (60 Hz): 1-Speed, 4.8 HP brake, 2.5 HP continuous, 56 Frame<br><b>Export (50 Hz): 1-Speed, 2.0 HP continuous</b>   |
| <b>Circulation Pump</b> .....              | Yes, 8-hour  |
| <b>Heater</b> .....                        | North America (60 Hz): 5.5kW High Flow<br><b>Export (50 Hz) 2.7kW High Flow</b>  |
| <b>Total PowerPro® Jets</b> .....          | 51   |
| <b>Seat A Jets</b> .....                   | 4 PowerPro® FX, 2 PowerPro® FX Large Rotational  |
| <b>Seat B Jets</b> .....                   | 1 PowerPro® FX Rotational, 2 PowerPro® FX Large  |
| <b>Seat C Jets</b> .....                   | 2 PowerPro® NX2, 2 PowerPro® FX Rotational, 4 PowerPro® FX, 2 PowerPro® FX Large   |
| <b>Seat D Jets</b> .....                   | 2 PowerPro® FX Large Rotational  |
| <b>Seat E Jets</b> .....                   | 10 PowerPro® FX, 2 PowerPro® FX Rotational, 2 PowerPro® BX   |
| <b>Seat E HYDROSOOTHE™ Jets</b> .....      | 2 PowerPro® FX Directional with independent flow rate valve  |
| <b>Seat F Jets</b> .....                   | 2 PowerPro® NX2, 3 PowerPro® MX  |
| <b>Footwell (G)</b> .....                  | 8 PowerPro® FX Small, 1 PowerPro® FX   |
| <b>Massage Selectors</b> .....             | 2  |
| <b>Air Controls</b> .....                  | 4, On/Off rocker switch air controller   |
| <b>Water Management System</b> .....       | Two 60 ft² Filter cartridges; filter 1 on 8-hour circulation pump; filter 2 on jets pump 1; Factory installed CLEARARRAY Active Oxygen™ Clean Water System<br><b>Export (50 Hz): Factory installed CLEARARRAY Active Oxygen™ Clean Water System</b>  |
| <b>LED Lighting</b> .....                  | One underwater prolite with 4 color modes, one colored waterfall light, cup holders, 2 HYDROSOOTHE pillow lights, and OPTIONAL exterior lights   |
| <b>ProFinish™ Cabinet Colors</b> .....     | Modern Hardwood, Brushed Gray, and Smoked Ebony  |
| <b>Acrylic Colors</b> .....                | Platinum, Silver Pearl, Desert, Monaco, Midnight, Porcelain  |
| <b>Headrests</b> .....                     | 4  |
| <b>Waterfalls</b> .....                    | One independent flow rate (on or off) adjustment; powered by the circulation pump  |
| <b>Electrical Requirements:</b> .....      | North America (60 Hz): 240 VAC@40A, 50A, or 60A<br><b>Export (50 Hz): 230-240 VAC@1x32A, 1x20A/1x16A, 3x16A or suitably rated circuit breaker to comply with local electrical codes. Certain countries may require dual power inputs; two GFCI RCD breakers are required for this configuration.</b>   |
| <b>Warranty*</b> .....                     | North America (60 Hz): 10 Years Shell, 7 Years Shell Surface, 5 Years for Plumbing Component Leaks, 5 Years Equipment and Controls, 5 Years Cabinet, 2 Years Jets, 2 Years Lights, 1 Year Stereo;<br><b>Export (50 Hz): 10 Years Shell, 7 Years Shell Surface, 5 Years Plumbing Component Leaks, 5 Years Equipment and Controls, 5 Years Cabinet, 2 Years Jets, 2 Years Lights, 2 Years Stereo</b> |
| <b>Special Features (Optional)</b> .....   | SmartTub™ Module, Exterior Lights  |
| <b>Audio System (Optional)</b> .....       | BLUEWAVE® Spa Stereo System (Bluetooth/Aux compatible) with four speakers and a subwoofer  |

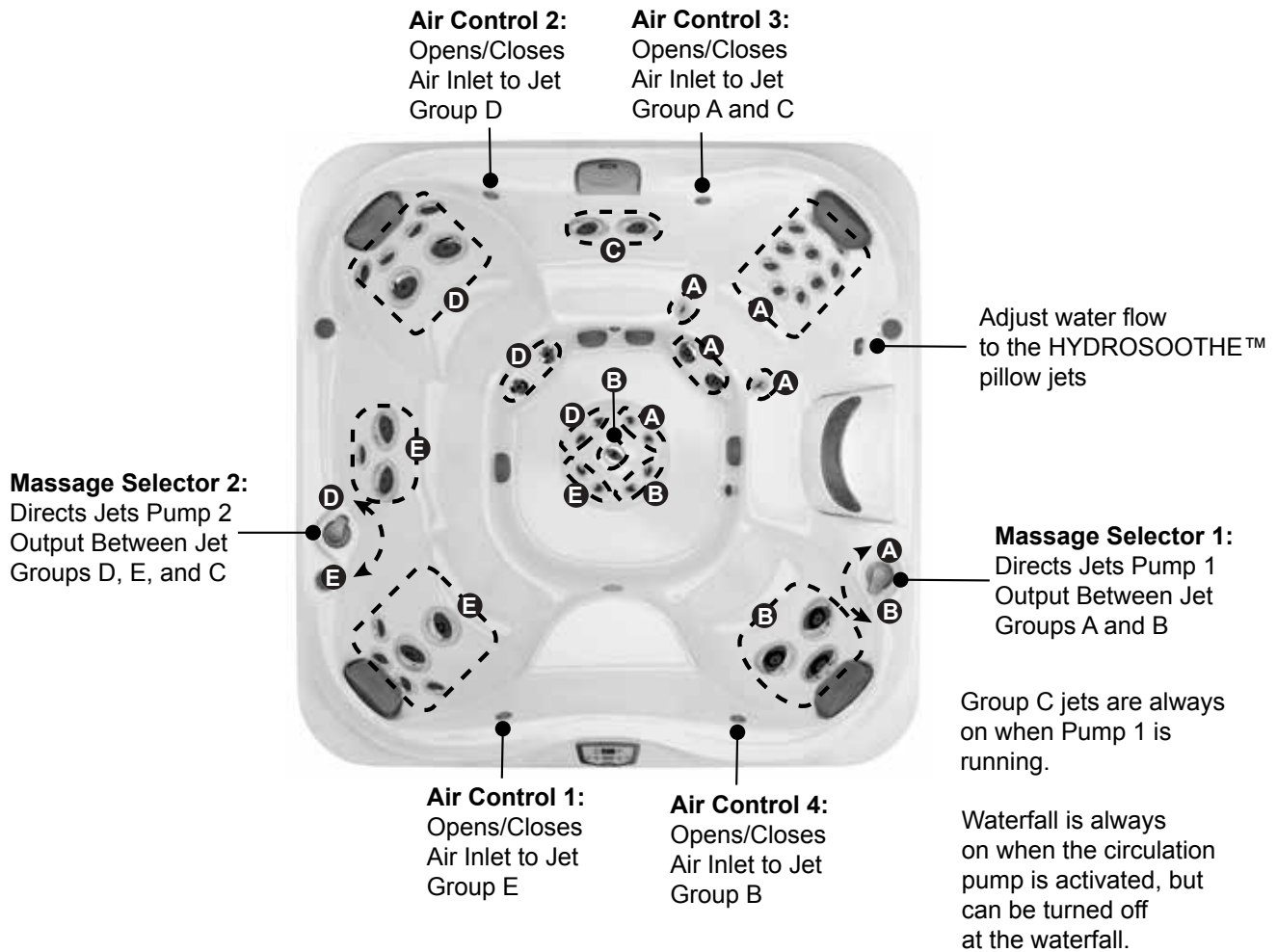


\*(See Warranty Document for Specific Details)

Dimensions/Specifications are Subject to Change Without Notice

# Jacuzzi J-385

## Operation/Seat Depths



### 51 Total Jets



## Seat Depths

**A = 26.50" (67.31 cm)**  
**B = 25.00" (63.50 cm)**  
**C = 26.75" (67.95 cm)**  
**D = 23.25" (59.06 cm)**  
**E = 28.25" (71.76 cm)**

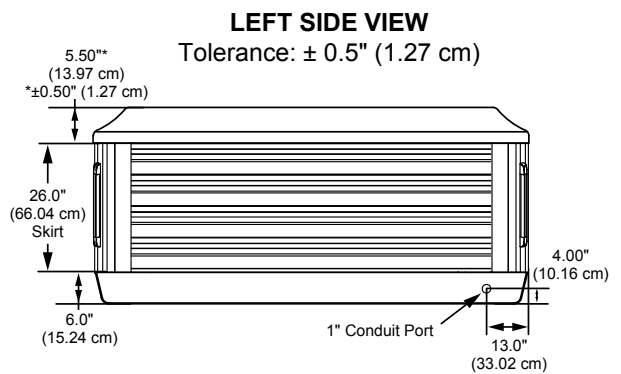
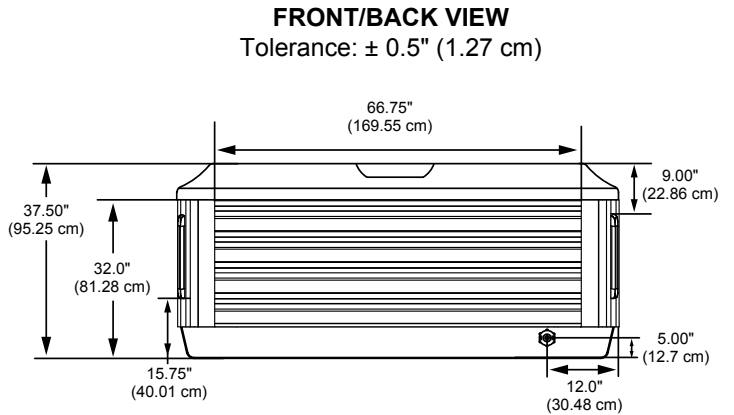
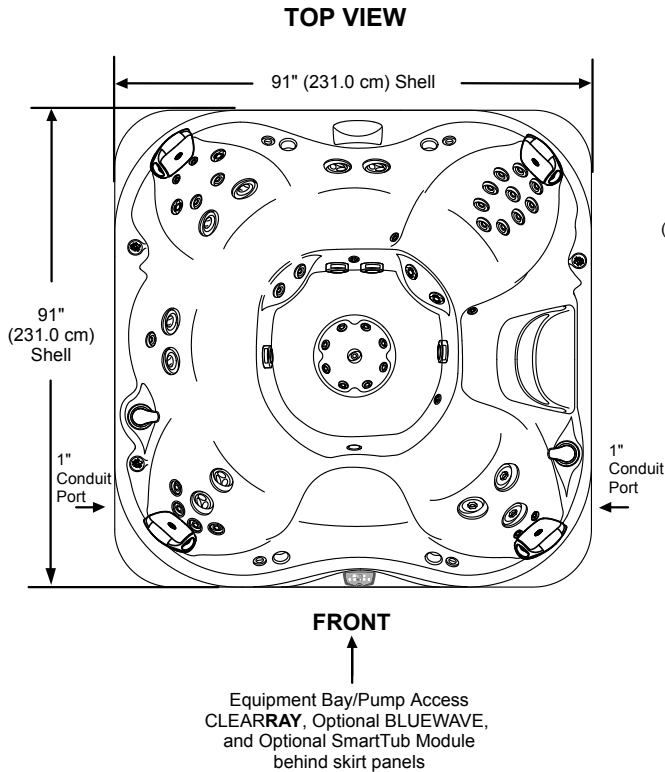
**F = 27.13" (68.90 cm)**  
**G = 17.00" (43.18 cm)**  
**H = 33.25" (84.46 cm)**

Listed dimensions represent distance from top of acrylic to lowest point in seat. Tolerance  $\pm 0.5"$  (1.27 cm).

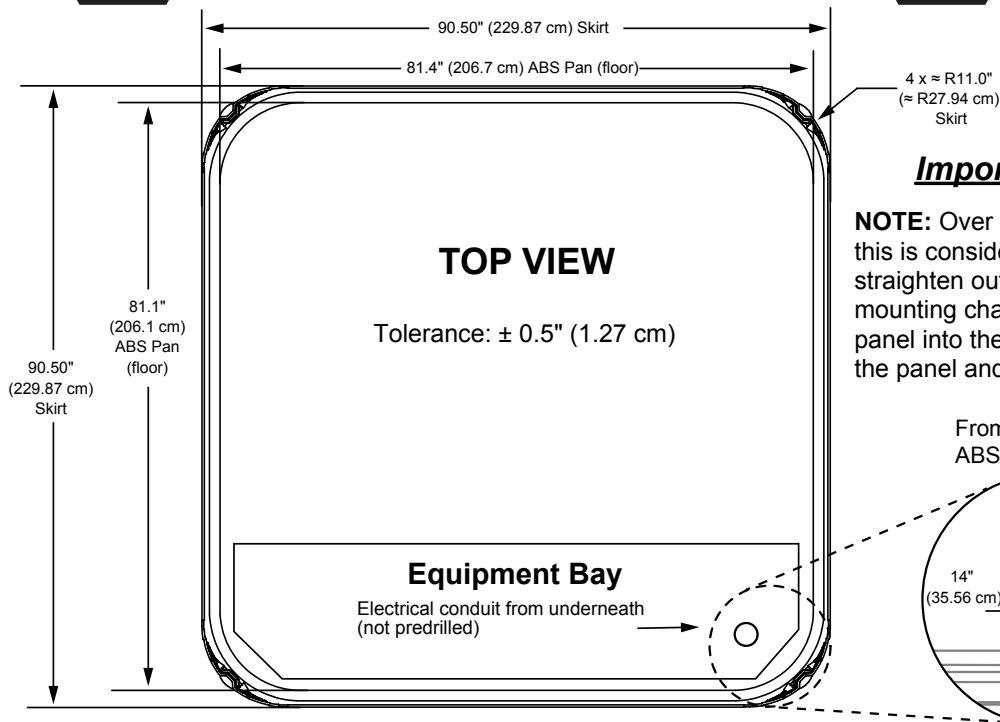


# Jacuzzi J-385

## Dimensions



**IMPORTANT!** Always measure each hot tub for exact dimensions **BEFORE** designing its foundational support and/or decking.



### Important Panel Details

**NOTE:** Over time the panel(s) may bow, this is considered normal. The panels will straighten out when reinstalled into the mounting channel. Place one end of the panel into the channel first then flatten the panel and insert the other end.

Dimensions/specifications subject to change without notice. Tolerance  $\pm 0.5"$  (1.27 cm)