

Jacuzzi J-495

Specifications

Seating Capacity	8-9 Adults
Dimensions	91" x 110" x 38.5" Front/45.5" Back, (231.1 cm x 279.4 cm x 97.79 cm Front/115.57 cm Back); For complete dimensions, See page 83
Perimeter	402 in. (1021.1 cm)
Dry Weight	1,091 lbs (495 kg)
Filled Weight (Spa Volume)	6,679 lbs (3,030 kg)
Filled Weight (Average Fill)	5,261 lbs (2,386 kg)
Water Capacity (Spa Volume)	670 US gallons (2,536 Liters)
Water Capacity (Average Fill)	500 US gallons (1,893 Liters)
Electronic Controls	ProTouch™ 2 LCD control panel, user interface displays temperature, time, cycles and fingertip jet control. Offers customizing of pre-programmed filtration cycles, heating modes and water temperature setting.
Pump 1	North America (60 Hz): 1-Speed, 5.1 HP break, 2.5 HP continuous, 56 Frame
Export (50 Hz):	1-Speed, 2.0 HP continuous
Pump 2	North America (60 Hz): 1-Speed, 5.1 HP break, 2.5 HP continuous, 56 Frame
Export (50 Hz):	1-Speed, 2.0 HP continuous
Pump 3	North America (60 Hz): 1-Speed, 5.1 HP break, 2.5 HP continuous, 56 Frame
Export (50 Hz):	1-Speed, 2.0 HP continuous
Circulation Pump	Yes, 8-Hour
Total PowerPro® Jets	71
Seat A Jets	2 PowerPro® NX2, 2 PowerPro® FX, 5 PowerPro® RX
Seat B Jets	1 PowerPro® FX Large Rotational
Seat C Jets	2 PowerPro® NX2, 6 PowerPro® RX, 2 PowerPro® FX Directional, 2 PowerPro® PX, 4 PowerPro® FX
Seat D Jets	2 PowerPro® FX Large Rotational
Seat E Jets	2 PowerPro® NX2, 4 PowerPro® FX Rotational, 6 PowerPro® FX, 2 PowerPro® PX, 2 PowerPro® FX Directional
Seat F Jets	4 PowerPro® FX, 4 PowerPro® RX
Seat G Jet	2 PowerPro® NX2, 3 PowerPro® MX
Footwell (H)	14 PowerPro® FX Small
Massage Selectors	2
Air Controls	5
Water Management System	One ProClarity® 40 ft ² filter cartridge and 1 ProClarity® depth load filter on 8-hour circulation pump; one ProCatch® bag with ProClear® 60 ft ² filter; Floating Weir; Factory installed CLEARARRAY Active Oxygen™ Clean Water System
Export (50 Hz):	Factory installed CLEARARRAY Active Oxygen™ Clean Water System
LED Lighting	Waterfall light, massage selectors, cupholders, underwater, indicator light, and exterior lights
ProFinish™ Cabinet Colors	Modern Hardwood, Brushed Gray, and Smoked Ebony
Acrylic Colors	Platinum, Silver Pearl, Midnight, Monaco, Porcelain
Headrests	4
Waterfalls	Two with independent flow rate (on or off) adjustment; powered by 8-hour circulation pump
Electrical Requirements:	North America (60 Hz): 240 VAC@50A or 60A Export (50 Hz): 230-240 VAC@ 1x32A, 1x40A, 1x32A/1x16A, 1x16A/1x16A/1x16A or suitably rated circuit breaker to comply with local electrical codes. Certain countries may require dual power inputs; two GFCI RCD breakers are required for this configuration.
Warranty*	North America (60 Hz): 10 Years Shell, 7 Years Shell Surface, 5 Years Plumbing Component Leaks, 5 Years Equipment and Controls, 5 Years Cabinet, 2 Years Jets, 2 Years Lights, 1 Year Stereo; Export (50 Hz): 10 Years Shell, 7 Years Shell Surface, 5 Years Plumbing Component Leaks, 5 Years Equipment and Controls, 5 Years Cabinet, 2 Years Jets, 2 Years Lights, 2 Years Stereo
Special Features (Optional)	SmartTub™ Module
Audio System (Optional)	BLUEWAVE® Spa Stereo System with Bluetooth capability and Aux 3.5 mm headphone jack port; 4 premium speakers, a powered subwoofer



*(See Warranty Document for Specific Details)

Dimensions/Specifications are Subject to Change Without Notice

Jacuzzi J-495

Operation/Seat Depths

Air Control 2:
Opens/Closes
Air Inlet to Jets A

Massage Selector 1:
Directs Jet Pump 1
Output Between
Jets C or D and E

Air Control 1:
Opens/Closes
Air Inlet to Jets B

Air Control 3:
Opens/Closes
Air Inlet to Jets C

Massage Selector 2:
Directs Jet Pump 2
Output Between
Jets A or B

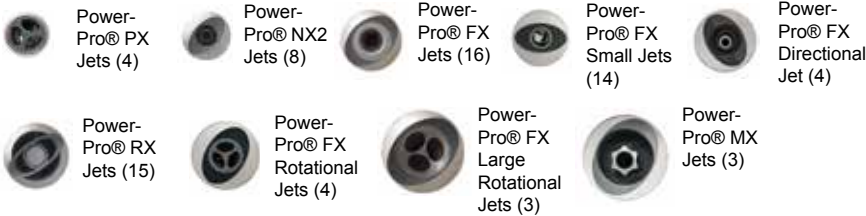
Air Control 4:
Opens/Closes
Air Inlet to Jets E

Air Control 5:
Opens/Closes
Air Inlet to Jets D

Waterfall Control:
Controls 8-Hour
Circulation Pump
Output to Both
Waterfalls

• Jets E Powered
at All Times when
Pump 3 is Running

71 Total Jets



Spa Operation Subject to Change without Notice

Seat Depths

A = 27.75" (70.49 cm)
B = 18.75" (47.63 cm)
C = 29.00" (73.66 cm)
D = 19.00" (73.03 cm)
E = 27.00" (68.58 cm)
F = 23.00" (58.42 cm)

G = 25.50" (64.77 cm)
H = 17.75" (45.09 cm)
I = 30.75" (78.11 cm)
J = 33.00" (83.82 cm)

Listed dimensions represent distance from top of acrylic to lowest point in seat. **Tolerance ± 0.5" (1.27 cm).**



Front

Back

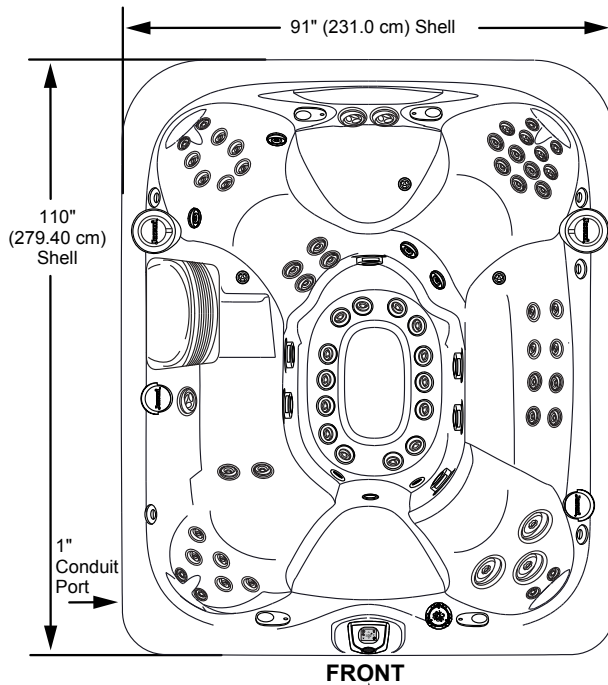


Dimensions/Specifications are Subject to Change Without Notice

Jacuzzi J-495

Dimensions

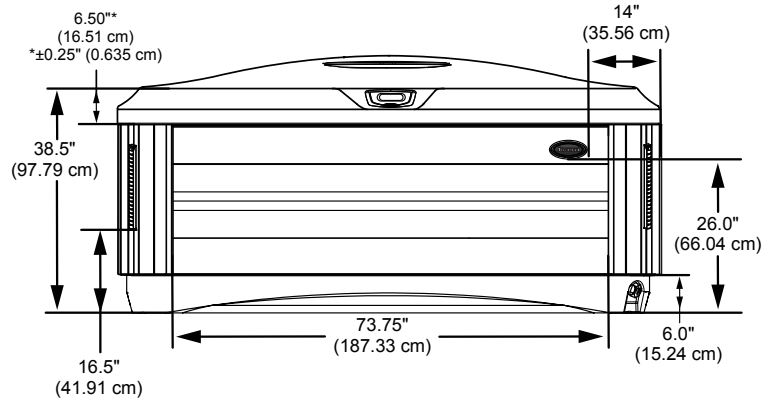
TOP VIEW



Equipment Bay/Pump Access
CLEARRAY, Optional BLUEWAVE®,
and Optional SmartTub System
located behind the cabinet

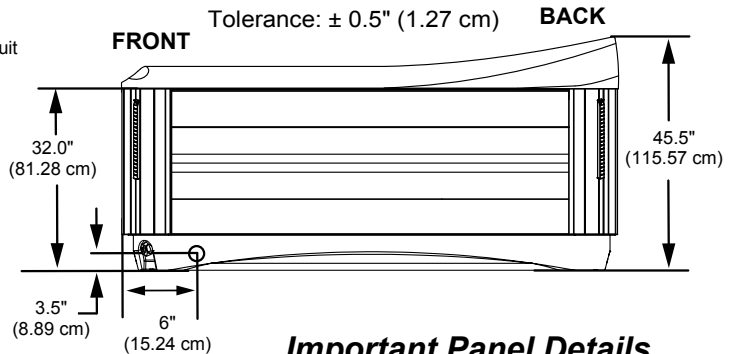
FRONT VIEW

Tolerance: $\pm 0.5"$ (1.27 cm)



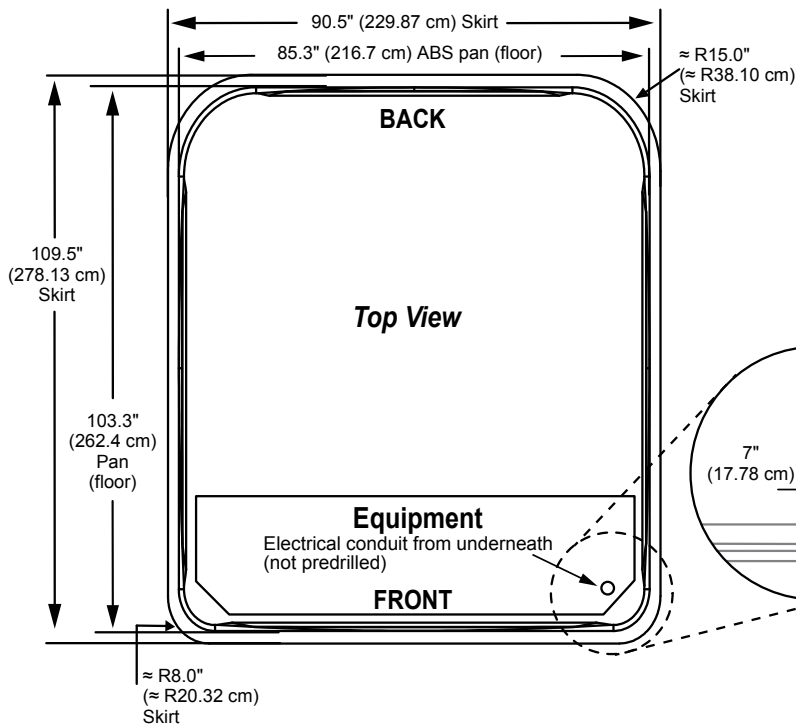
RIGHT SIDE VIEW

Tolerance: $\pm 0.5"$ (1.27 cm)



Important Panel Details

NOTE: Over time the panel(s) may bow, this is considered normal. The panels will straighten out when reinstalled into the mounting channel. Place one end of the panel into the channel first then flatten the panel and insert the other end.



Dimensions/specifications subject to change without notice. Tolerance $\pm 0.5"$ (1.27 cm)



IMPORTANT! Always measure each hot tub for exact dimensions **BEFORE** designing its foundational support and/or decking.



Jacuzzi J-485

Specifications

Seating Capacity	6-7 Adults
Dimensions	91" x 91" x 37.5" Front/43.5" Back, (231.14 cm x 231.14 cm x 95.25 cm Front/110.5 cm Back); For complete dimensions, See page 83
Perimeter	364 in. (924.6 cm)
Dry Weight	916 lbs (415 kg)
Filled Weight (Average Fill)	4,544 lbs (2,061 kg)
Water Capacity (Average Fill)	435 US gallons (1,647 Liters)
Filled Weight (Spa Volume)	5,336 lbs (2,421 kg)
Water Capacity (Spa Volume)	530 US gallons (2,006 Liters)
Electronic Controls	ProTouch™ 2 LCD control panel, user interface displays temperature, time, cycles and fingertip jet control. Offers customizing of pre-programmed filtration cycles, heating modes and water temperature setting.
Pump 1	North America (60 Hz): 1-Speed, 5.1 HP break, 2.5 HP continuous, 56 Frame
Export (50 Hz):	1-Speed, 2.0 HP continuous
Pump 2	North America (60 Hz): 1-Speed, 5.1 HP break, 2.5 HP continuous, 56 Frame
Export (50 Hz):	1-Speed, 2.0 HP continuous
Circulation Pump	Yes, 8-Hour
Total PowerPro® Jets	49
Seat A Jets	2 PowerPro® NX2, 3 PowerPro® MX
Seat B Jets	2 PowerPro® NX2, 6 PowerPro® RX
Seat C Jets	2 PowerPro® FX Large
Seat D Jets	2 PowerPro® NX2, 4 PowerPro® FX Rotational, 6 PowerPro® FX, 2 PowerPro® PX
Seat E Jets	2 PowerPro® RX, 2 PowerPro® FX
Seat F Jets	4 PowerPro® FX, 1 PowerPro® FX Large Rotational, 2 PowerPro® FX Rotational
Footwell (G)	8 PowerPro® FX Small, 1 PowerPro® FX Large
Massage Selectors	2
Air Controls	4, On/Off rocker switch, air controller
Water Management System	One ProClarity® 40 ft ² filter cartridge and 1 ProClarity® depth load filter on 8-hour circulation pump; one ProCatch® bag with ProClear® 60 ft ² filter; Floating Weir; Factory installed CLEARARRAY Active Oxygen™ Clean Water System
Export (50 Hz):	Factory installed CLEARARRAY Active Oxygen™ Clean Water System
LED Lighting	Waterfall light, massage selectors, cupholders, underwater, indicator light, and exterior lights
ProFinish™ Cabinet Colors	Modern Hardwood, Brushed Gray, and Smoked Ebony
Acrylic Colors	Platinum, Silver Pearl, Midnight, Monaco, Porcelain
Headrests	4
Waterfall	One with independent flow rate (on or off) adjustment; powered by 8-hour circulation pump
Electrical Requirements:	North America (60 Hz): 240 VAC@40A, 50A, or 60A Export (50 Hz): 230-240 VAC@ 1x32A, 1x20A/1x16A, 1x16A/1x16A/1x16A or suitably rated circuit breaker to comply with local electrical codes. Certain countries may require dual power inputs; two GFCI RCD breakers are required for this configuration.
Warranty*	North America (60 Hz): 10 Years Shell, 7 Years Shell Surface, 5 Years Plumbing Component Leaks, 5 Years Equipment and Controls, 5 Years Cabinet, 2 Years Jets, 2 Years Lights, 1 Year Stereo; Export (50 Hz): 10 Years Shell, 7 Years Shell Surface, 5 Years Plumbing Component Leaks, 5 Years Equipment and Controls, 5 Years Cabinet, 2 Years Jets, 2 Years Lights, 2 Years Stereo
Special Features (Optional)	SmartTub™ Module
Audio System (Optional)	BLUEWAVE® Spa Stereo System with Bluetooth capability and Aux 3.5 mm headphone jack port; 4 premium speakers, a powered subwoofer



*(See Warranty Document for Specific Details)

Dimensions/Specifications are Subject to Change Without Notice